



HIGH PERFORMANCE 1:10 ELECTRIC TOURING CAR

SETUP SHEET

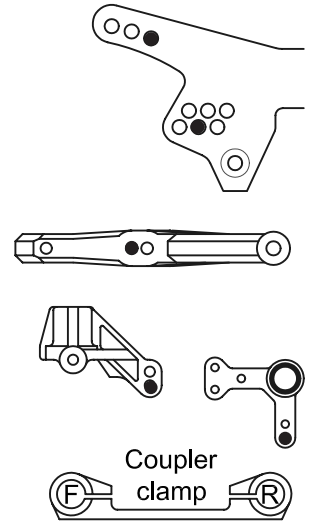
Driver: 諸橋栄治

Track / City: 川場RCプラザ

Event: STOCK 23T TEST Date: 2007/10/7-8

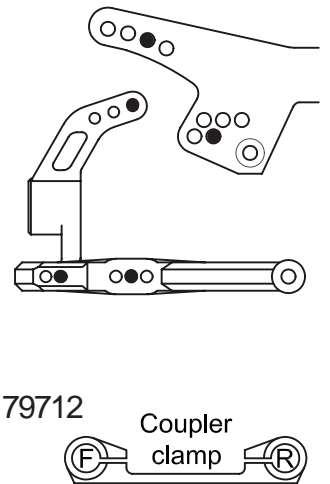
Front

Caster 3° Downstops _____ mm Oil 35 WT
 Toe-out 0° Anti-roll bar 1.0mm(自作) Piston 0.9 X 3 Hole
 Camber -2° Front width 187 mm Rebound 2.0mm UP
 Ride Height 4.5mm Front drive ONE-WEY Spring 1.5 X 6.25T
 Wishbone 80 Front pulley 36 Shock tower 79739
 Wheelbase MID Steering トップデッキとポスト間に
15mmカラーを入れる Steering block 79280
 F Coupler 79120 F coupler shims 0 Coupler clamp 79708
 R Coupler 79120 R coupler shims 0 Clamp shims 0



Rear

Anti-squat 0 Downstops _____ mm Oil 35 WT
 Toe-in 2.0° Anti-roll bar 1.2mm(自作) Piston 0.9 X 3 Hole
 Camber -1.5° Rear width 189 mm Rebound 3.5mm UP
 Ride Height 5.0mm Center pulley 21 T Spring 1.5 X 6.5T
 Wishbone 80 Rear pulley 36 T Shock tower 79741
 Wheelbase 259mm(ベアリングホルダーは260用) Upright 79299 toe-in
 F Coupler 79120 F coupler shims 0 Coupler clamp 79711/79712
 R Coupler 79120 R coupler shims 0 Clamp shims 0.5mm

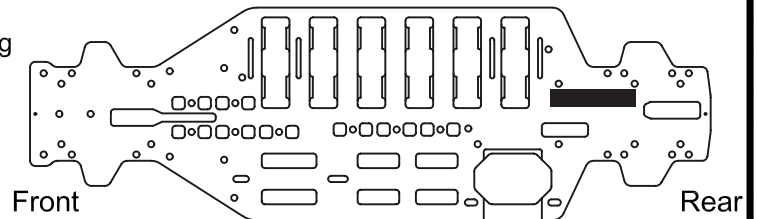


Others

Tires SCOREX C036R AH Black Ver.1 Tire additive SXT2.0 & PROTO
 Motor LLNA Battery FM4300R 6Cell Spur / Pinion 112 T / 36 T
 Radio KO EX-10 HELIOS Servo KO FDS-2143ICS ESC Coral Iy MMS-4
 Body Ride Mk- Wing Ride Weight balance
 Lead Weights 1510 g

Track Conditions

Surface ASPHALT
 Traction HIGH
 Temp. 25°
 Notes _____



Race Comments

Main _____ Finish _____ Qual. Pos. _____ Time _____ Laps _____